

# Tech Sheet: Grumman TBF-1, TBM-1 Avenger

(grumman-TBF.pdf)



Grumman TBF &amp; TBM Avenger Canopy Cover

## Section 1: Canopy/Cockpit/Fuselage Covers

**Canopy Covers** help reduce damage to your airplane's upholstery and avionics caused by excessive heat, and they can eliminate problems caused by leaking door and window seals. They keep the windshield and window surfaces clean and help prevent vandalism and theft.

The **Grumman TBF-1, TBM-1 Avenger Canopy Cover** is designed to enclose the windshield, all side windows and canopy roof. The Canopy Cover is custom designed for each model, as well as your aircraft's specific antenna and temperature probe placements. The Canopy Cover attaches using adjustable "belly straps", which run under the belly and connect to the other side of the cover with a quick-release plastic buckle. To ensure the most secure fit, high-quality shock cord is enclosed in the hem of the cover to help keep the cover tighter against the airplane. Canopy Covers are commonly referred to as Cabin Covers, Fuselage Covers, Canvas Covers, Canopy Caps, etc.

Each Canopy Cover is custom sewn and the corners are trimmed to match the colors of the airplane. The airplane's registration number can be imprinted onto both sides of the cover for an additional charge. A duffle bag is included with all Canopy Covers.

This cover type is made from Silver Acrylic Sunbrella canvas and is 100% lined with a soft and smooth microfiber. Bruce's Custom Covers developed this material combination especially for aircraft protection. The outer material is medium weight and treated for water resistance, UV resistance and anti-static buildup. The inner lining is a very soft and smooth microfiber to prevent scratching. The material is very reflective, and tests show that the cabin interior temperature can be reduced to near-ambient temperature on

the hottest of days. It is water, ice and snow repellent, yet breathable to allow moisture to escape from between the cover and the aircraft surface.



Grumman TBM Avenger Canopy Cover



Grumman TBF & TBM Avanger Canopy Cover

| Description                    | Part Number    | Price           |
|--------------------------------|----------------|-----------------|
| CANOPY COVER (no gun turret)   | <b>TBF-000</b> | <b>\$845.00</b> |
| CANOPY COVER (with gun turret) | <b>TBF-001</b> | <b>\$845.00</b> |

## Section 2: Engine/Prop Covers

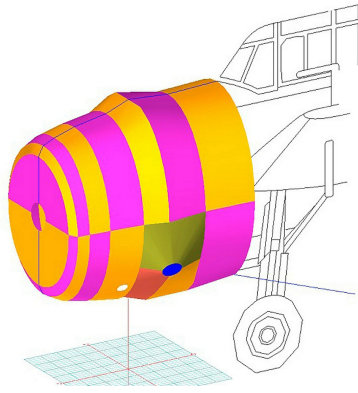
**Engine Covers** will cinch around or behind the spinner, cover the entire engine cowl area including the engine air cooling and induction air inlets, and fastens together with Velcro beneath the spinner down the front of the cowling. The Engine Cover is attached with a belly strap aft of the firewall, and can Velcro to the Canopy Cover. Engine Covers are normally made from Solution-Dyed Polyester or Acrylic *Sunbrella*. An Insulated version of the engine cover can be made with a thicker, quilted, and water-repellent material. The Insulated Engine Cover works well in cold climates to help with engine preheating.

The **Grumman TBF-1, TBM-1 Avenger Insulated Engine Cover** works well in cold climates to help with engine preheating. You can add an access flap for an additional fee. It will cinch around or behind the spinner, cover the entire engine cowl area including the engine air inlets, and fastens together with Velcro beneath the spinner down the front of the cowling.

Insulated Covers Material - A special composite material of solution-dyed polyester, 3M Thinsulate insulation, and soft nylon interior fabric. Our insulated covers are designed to complement an engine preheater and help retain heat in the engine compartment after shutdown. If you operate your aircraft in cold-weather, these covers will help prevent engine wear and tear.

The **Grumman TBF-1, TBM-1 Avenger Propeller Cover** is a one-piece design that form fits to the blades and spinner. The prop cover slips over the blades and spinner and is attached by a plastic all-weather zipper on the bottom of the blades. Propeller covers can be made for multiple numbers of blades, and for wooden, composite or metal props. The Propeller Cover is normally made from Acrylic *Sunbrella* or Solution-Dyed Polyester and is lined 100% with a soft and smooth microfiber. **Insulated Propeller Covers** works well in cold climates to help with engine preheating. These insulated versions are made with a thicker, quilted, water-repellent, and breathable material.

This cover type is made from Silver Acrylic Sunbrella canvas and is 100% lined with a soft and smooth microfiber. Bruce's Custom Covers developed this material combination especially for aircraft protection. The outer material is medium weight and treated for water resistance, UV resistance and anti-static buildup. The inner lining is a very soft and smooth microfiber to prevent scratching. The material is very reflective, and tests show that the cabin interior temperature can be reduced to near-ambient temperature on the hottest of days. It is water, ice and snow repellent, yet breathable to allow moisture to escape from between the cover and the aircraft surface.



TBM Avenger Engine Cover, 3D model



TBM Avenger Engine Cover

| Description                                | Part Number    | Price            |
|--|----------------|------------------|
| ENGINE COVER                               | <b>TBF-100</b> | <b>\$740.00</b>  |
| INSULATED ENGINE COVER                     | <b>TBF-105</b> | <b>\$1025.00</b> |
| PROPELLOR/SPINNER COVER, 3 Blade           | <b>TBF-120</b> | <b>\$600.00</b>  |
| INSULATED PROPELLOR/SPINNER COVER, 3 Blade | <b>TBF-125</b> | <b>\$830.00</b>  |

### Section 3: Plugs & Protection

**Grumman TBF-1, TBM-1 Avenger Pitot Tube Covers**, NOT HEAT RESISTANT TYPE, are made of Naugahyde vinyl, and are designed to cover the entire pitot assembly. Slipping over the tube, the cover tightens around the base with a Velcro strap detail. A "Remove Before Flight" streamer is attached to the cover. **Heat Resistant Pitot Covers** are an upgrade to this design, and help prevent the pitot cover from melting onto the tube if the pitot heat is accidentally turned on while installed. If you want the set tethered together, please let us know.

| Description                  | Part Number    | Price          |
|------------------------------|----------------|----------------|
| PITOT COVER (shark fin type) | <b>TBF-800</b> | <b>\$55.00</b> |

### Section 7: Light Weight Products: Travel Covers and FlyAway Covers

The **Lightweight Travel Canopy Cover** will cover the same area as our standard Canopy Cover, but the material used is very lightweight and will fold up and store in a much smaller space. This cover is ideal for the airplane that is stored in a hangar full-time and only needs a cover on rare occasions.

Travel Covers are made with Silver Solution-Dyed Polyester fabric and only lined over the windshield to save weight. The material is lightweight and more compact for easy stowage in the aircraft. The polyester material is water resistant, but only intended for occasional use outside. We also have an ultra lightweight material available for fitted hangar dust covers. For daily outdoor use, the non-travel Sunbrella Cover is the best choice.

| Description   | Part Number    | Price           |
|---|----------------|-----------------|
| TRAVEL COVER, Light Weight Canopy Cover (no gun turret)   | <b>TBF-810</b> | <b>\$680.00</b> |
| TRAVEL COVER, Light Weight Canopy Cover (with gun turret) | <b>TBF-820</b> | <b>\$680.00</b> |

**Prices subject to change. Other Covers and Design Alterations: Prices on request.**  
**Prices are FOB Morgan Hill, CA. Sales tax on orders shipped to California addresses. Orders take approximately 3 weeks**

*to complete. For domestic orders we normally ship by UPS ground service. Next day shipping and air parcel post is available on request. We can take payment by Visa, Mastercard, American Express, or Discover.*

*Bruce's Custom Covers offers protective covers and plugs for virtually every type of airplane, jet and helicopter. If you have questions about our products please call any time TOLL FREE: 800/777-6405, or FAX: 408/738-2729.*

**Instructions:** Measure to the nearest 1/8" and only fill in what applies. You may email, fax or phone in the measurements.

Aircraft Reg / Tail Number: \_\_\_\_\_ Aircraft Type: \_\_\_\_\_ Year: \_\_\_\_\_  
 Name: \_\_\_\_\_ Phone & Email: \_\_\_\_\_

### OAT Placement

|                        |  |                           |        |       |                        |  |                           |
|------------------------|--|---------------------------|--------|-------|------------------------|--|---------------------------|
| <b>A</b>               | From top of windshield   |                           |        |       |                        |  |                           |
| <b>B</b>               | Offset from centerline   |                           |        |       |                        |  |                           |
|                        | <table style="width: 100%; border-collapse: collapse;"> <tr> <td style="width: 33%; text-align: center;">Left</td> <td style="width: 34%; text-align: center;">Center</td> <td style="width: 33%; text-align: center;">Right</td> </tr> <tr> <td style="text-align: center;"><small>(pilot)</small></td> <td></td> <td style="text-align: center;"><small>(co-pilot)</small></td> </tr> </table> | Left                      | Center | Right | <small>(pilot)</small> |  | <small>(co-pilot)</small> |
| Left                   | Center   | Right                     |        |       |                        |  |                           |
| <small>(pilot)</small> |  | <small>(co-pilot)</small> |        |       |                        |  |                           |
| <b>C</b>               | Height   |                           |        |       |                        |  |                           |
| <b>D</b>               | From FWD edge  |                           |        |       |                        |  |                           |
| <b>E</b>               | From lower edge  |                           |        |       |                        |  |                           |
| <b>F</b>               | From forward corner  |                           |        |       |                        |  |                           |
| <b>G</b>               | Distance forward   |                           |        |       |                        |  |                           |



| Antenna Placements   | Example<br><small>(inches or metric)</small>   | Antenna #1                |        |       | Antenna #2             |          |                           | Antenna #3  |      |        | Antenna #4 |                        |  |                           |   |      |        |       |                        |  |                           |   |      |        |       |                        |  |                           |   |      |        |       |                        |  |                           |
|--|--|---------------------------|--------|-------|------------------------|----------|---------------------------|---|------|--------|------------|------------------------|--|---------------------------|---|------|--------|-------|------------------------|--|---------------------------|---|------|--------|-------|------------------------|--|---------------------------|---|------|--------|-------|------------------------|--|---------------------------|
| <b>H</b> Distance from top center windshield to front of Antenna | <b>34 5/8"</b>   |                           |        |       |                        |          |                           |   |      |        |            |                        |  |                           |   |      |        |       |                        |  |                           |   |      |        |       |                        |  |                           |   |      |        |       |                        |  |                           |
| <b>J</b> Length/Width of Antenna base                            | <b>5 1/2" x 3 1/4"</b>   |                           |        |       |                        |          |                           |   |      |        |            |                        |  |                           |   |      |        |       |                        |  |                           |   |      |        |       |                        |  |                           |   |      |        |       |                        |  |                           |
| <b>K</b> Offset from Centerline                                  | <b>9 1/2"</b>  |                           |        |       |                        |          |                           |   |      |        |            |                        |  |                           |   |      |        |       |                        |  |                           |   |      |        |       |                        |  |                           |   |      |        |       |                        |  |                           |
| Antenna Offset<br>(mark one)                                     | <table style="width: 100%; border-collapse: collapse;"> <tr> <td style="width: 33%; text-align: center;">Left</td> <td style="width: 34%; text-align: center;">Center</td> <td style="width: 33%; text-align: center;">Right</td> </tr> <tr> <td style="text-align: center;"><small>(pilot)</small></td> <td style="text-align: center;"><b>X</b></td> <td style="text-align: center;"><small>(co-pilot)</small></td> </tr> </table> | Left                      | Center | Right | <small>(pilot)</small> | <b>X</b> | <small>(co-pilot)</small> | <table style="width: 33%; border-collapse: collapse;"> <tr> <td style="width: 33%; text-align: center;">Left</td> <td style="width: 34%; text-align: center;">Center</td> <td style="width: 33%; text-align: center;">Right</td> </tr> <tr> <td style="text-align: center;"><small>(pilot)</small></td> <td></td> <td style="text-align: center;"><small>(co-pilot)</small></td> </tr> </table> | Left | Center | Right      | <small>(pilot)</small> |  | <small>(co-pilot)</small> | <table style="width: 33%; border-collapse: collapse;"> <tr> <td style="width: 33%; text-align: center;">Left</td> <td style="width: 34%; text-align: center;">Center</td> <td style="width: 33%; text-align: center;">Right</td> </tr> <tr> <td style="text-align: center;"><small>(pilot)</small></td> <td></td> <td style="text-align: center;"><small>(co-pilot)</small></td> </tr> </table> | Left | Center | Right | <small>(pilot)</small> |  | <small>(co-pilot)</small> | <table style="width: 33%; border-collapse: collapse;"> <tr> <td style="width: 33%; text-align: center;">Left</td> <td style="width: 34%; text-align: center;">Center</td> <td style="width: 33%; text-align: center;">Right</td> </tr> <tr> <td style="text-align: center;"><small>(pilot)</small></td> <td></td> <td style="text-align: center;"><small>(co-pilot)</small></td> </tr> </table> | Left | Center | Right | <small>(pilot)</small> |  | <small>(co-pilot)</small> | <table style="width: 33%; border-collapse: collapse;"> <tr> <td style="width: 33%; text-align: center;">Left</td> <td style="width: 34%; text-align: center;">Center</td> <td style="width: 33%; text-align: center;">Right</td> </tr> <tr> <td style="text-align: center;"><small>(pilot)</small></td> <td></td> <td style="text-align: center;"><small>(co-pilot)</small></td> </tr> </table> | Left | Center | Right | <small>(pilot)</small> |  | <small>(co-pilot)</small> |
| Left   | Center   | Right                     |        |       |                        |          |                           |   |      |        |            |                        |  |                           |   |      |        |       |                        |  |                           |   |      |        |       |                        |  |                           |   |      |        |       |                        |  |                           |
| <small>(pilot)</small>   | <b>X</b>   | <small>(co-pilot)</small> |        |       |                        |          |                           |   |      |        |            |                        |  |                           |   |      |        |       |                        |  |                           |   |      |        |       |                        |  |                           |   |      |        |       |                        |  |                           |
| Left   | Center   | Right                     |        |       |                        |          |                           |   |      |        |            |                        |  |                           |   |      |        |       |                        |  |                           |   |      |        |       |                        |  |                           |   |      |        |       |                        |  |                           |
| <small>(pilot)</small>   |  | <small>(co-pilot)</small> |        |       |                        |          |                           |   |      |        |            |                        |  |                           |   |      |        |       |                        |  |                           |   |      |        |       |                        |  |                           |   |      |        |       |                        |  |                           |
| Left   | Center   | Right                     |        |       |                        |          |                           |   |      |        |            |                        |  |                           |   |      |        |       |                        |  |                           |   |      |        |       |                        |  |                           |   |      |        |       |                        |  |                           |
| <small>(pilot)</small>   |  | <small>(co-pilot)</small> |        |       |                        |          |                           |   |      |        |            |                        |  |                           |   |      |        |       |                        |  |                           |   |      |        |       |                        |  |                           |   |      |        |       |                        |  |                           |
| Left   | Center   | Right                     |        |       |                        |          |                           |   |      |        |            |                        |  |                           |   |      |        |       |                        |  |                           |   |      |        |       |                        |  |                           |   |      |        |       |                        |  |                           |
| <small>(pilot)</small>   |  | <small>(co-pilot)</small> |        |       |                        |          |                           |   |      |        |            |                        |  |                           |   |      |        |       |                        |  |                           |   |      |        |       |                        |  |                           |   |      |        |       |                        |  |                           |
| Left   | Center   | Right                     |        |       |                        |          |                           |   |      |        |            |                        |  |                           |   |      |        |       |                        |  |                           |   |      |        |       |                        |  |                           |   |      |        |       |                        |  |                           |
| <small>(pilot)</small>   |  | <small>(co-pilot)</small> |        |       |                        |          |                           |   |      |        |            |                        |  |                           |   |      |        |       |                        |  |                           |   |      |        |       |                        |  |                           |   |      |        |       |                        |  |                           |
| <b>L</b> Slope length of Antenna (types 1-3 only)                | <b>18"</b>   |                           |        |       |                        |          |                           |   |      |        |            |                        |  |                           |   |      |        |       |                        |  |                           |   |      |        |       |                        |  |                           |   |      |        |       |                        |  |                           |
| <b>M</b> Antenna Type (see types below)                          | <b>1</b>   |                           |        |       |                        |          |                           |   |      |        |            |                        |  |                           |   |      |        |       |                        |  |                           |   |      |        |       |                        |  |                           |   |      |        |       |                        |  |                           |



**Instructions:** Measure to the nearest 1/8" and only fill in what applies. You may email, fax or phone in the measurements.

Aircraft Reg / Tail Number: \_\_\_\_\_ Aircraft Type: \_\_\_\_\_ Year: \_\_\_\_\_  
 Name: \_\_\_\_\_ Phone & Email: \_\_\_\_\_

**Propellor Measurements**

| Please check one:                            | 2 - Blade | 3 - Blade | 4 - Blade |
|--|-----------|-----------|-----------|
| <b>A</b> Measure along surface of cone       |           |           |           |
| <b>B</b> Measure "straight line" base to tip |           |           |           |
| <b>C</b> Base to top of blade root opening   |           |           |           |
| <b>D</b> Provide diameter or circumference   |           |           |           |
| <b>E</b> Provide diameter or circumference   |           |           |           |
| <b>F</b> Blade root to prop tip              |           |           |           |
| <b>G</b> Trailing edge to leading edge       |           |           |           |
| <b>H</b> Trailing edge to leading edge       |           |           |           |
| <b>J</b> Trailing edge to leading edge       |           |           |           |



Ph: 408/738-3959 • Toll Free: 800/777-6405 • Fax: 408/738-2729 • [bruce@aircraftcovers.com](mailto:bruce@aircraftcovers.com)